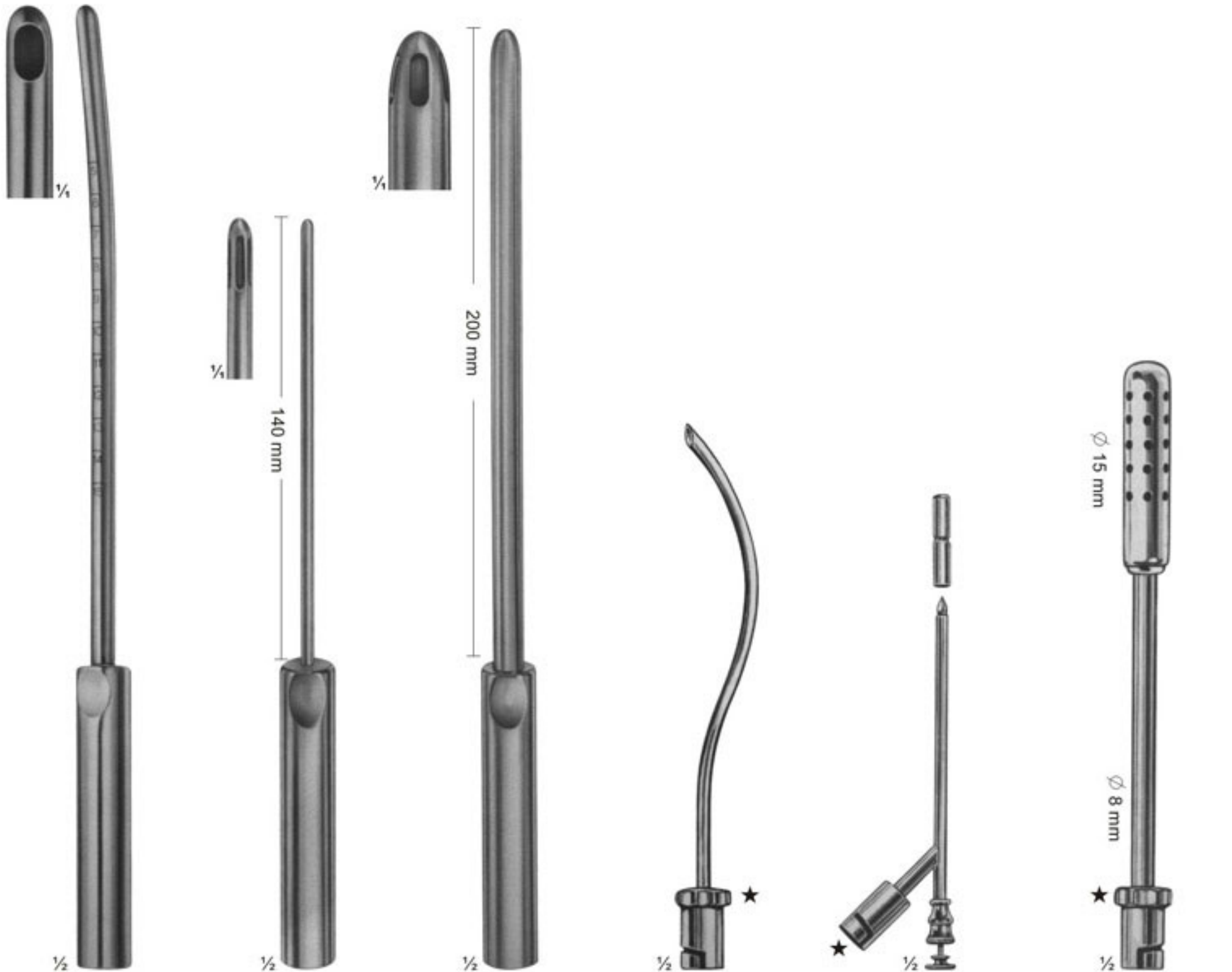




# Vacuum Currettes for Aspiration Lipectomy, Suction Instruments



**07-9043 - 07-9048**  
BIEMER  
**07-9043** ∅ 4mm  
**07-9044** ∅ 6mm  
**07-9045** ∅ 8mm  
**07-9046** ∅ 10mm  
**07-9047** ∅ 12mm  
**07-9048** ∅ 14mm  
 Currettes for aspiration lipectomy, graduated, slightly curved

**07-9049 - 07-9050**  
BIEMER  
**07-9049** ∅ 4 mm  
**07-9050** ∅ 6 mm  
 Currettes for aspiration lipectomy, with three apertures, slightly curved malleable

**07-9051 - 07-9053**  
BIEMER  
**07-9051** ∅ 8 mm  
**07-9052** ∅ 10 mm  
**07-9053** ∅ 12 mm  
 Currettes for aspiration lipectomy, with three apertures, slightly curved malleable

**07-9054**  
For aspirating fluid from the excretory ducts of large glands and for keeping the operating area clear  
170 mm

**07-9055**  
Trocar  
For puncturing  
150 mm

**07-9056**  
For clearing large quantities of fluid  
190 mm



# Suction Instruments

**07-9057** 150mm  
Suction handle, with vacuum regulator and finger cut-off, brass, mirror-finish chromium-plated



olive  
Ø 9 mm

**07-9058** 170mm  
Suction handle, with hand regulation valve and quick-shutter, brass, mirror-finish chromium-plated



★ Both suction handles have bayonet fitting olive and can be used for the suction cannulae. Ø 9 mm



**07-9059**  
Trocar  
For puncturing  
170 mm



**07-9060**  
Hollow needle,  
sharp  
150 mm



**07-9061**  
double curved  
For general  
surgery  
230 mm



**07-9062**  
For tonsillectomy,  
oral and laryngeal  
operations  
190 mm

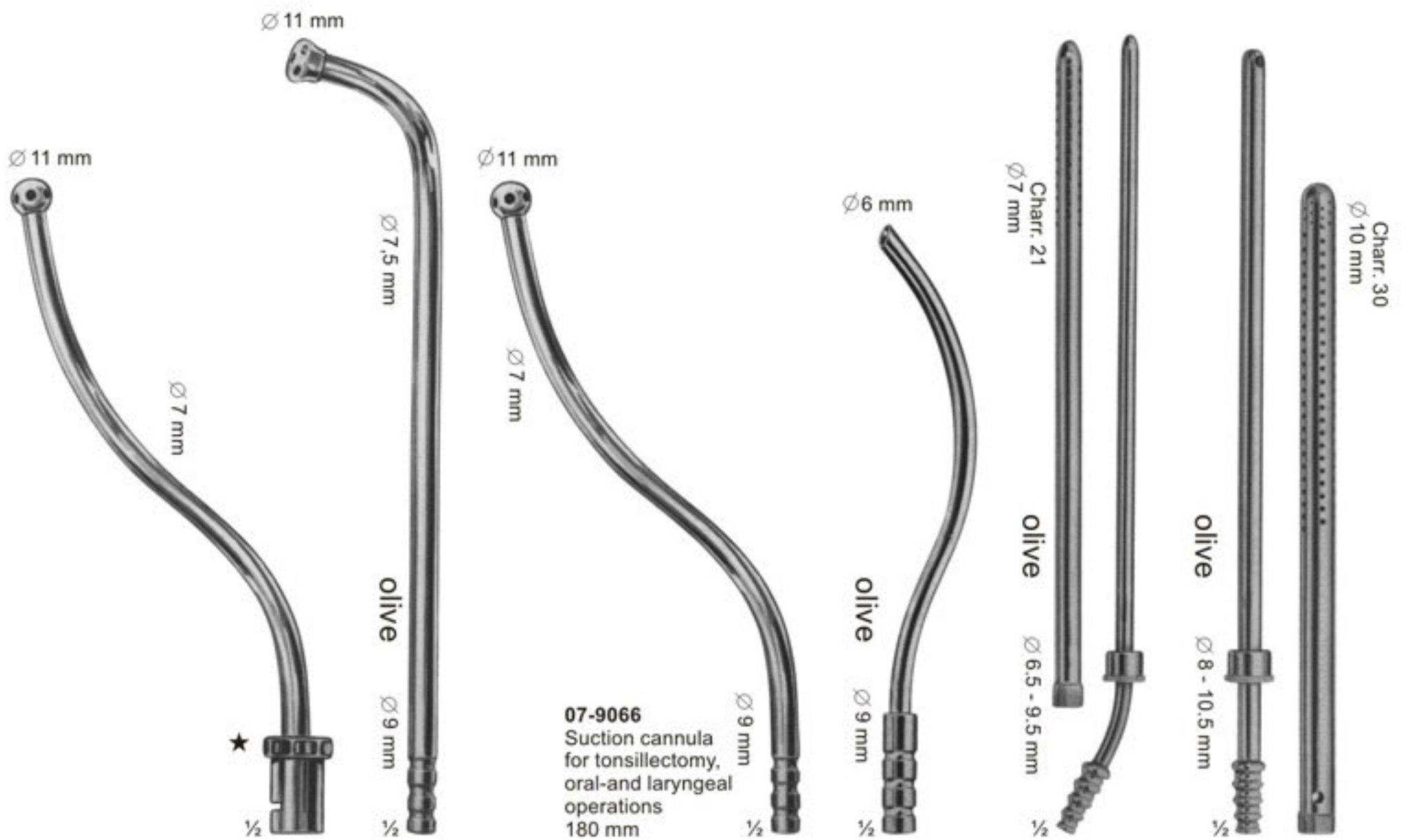


**07-9063**  
For tonsillectomy,  
oral and laryngeal  
operations  
220 mm

★ With bayonet fitting to be used with suction handles (07-9057 - 07-9058)



# Suction Instruments



**07-9064**  
For tonsillectomy,  
oral-and laryngeal  
operations  
180 mm

**07-9065**  
Suction cannula  
for tonsillectomy,  
oral-and laryngeal  
operations  
220 mm

**07-9066**  
Suction cannula  
for tonsillectomy,  
oral-and laryngeal  
operations  
180 mm

**07-9067**  
S-shaped blunt cannula  
for aspirating fluid from  
the excretory ducts of  
large glands and for  
keeping the operating  
area clear  
170 mm

**07-9068**  
POOL  
Suction cannula,  
with outer tube  
to be screwed of  
225 mm

**07-9069**  
POOL  
Suction cannula,  
with outer tube  
to be screwed off  
225 mm



# Suction Instruments

<p>Ø 10 mm</p> <p>olive</p> <p>Ø 7-9 mm</p> <p>1/2</p> <p><b>07-9070</b> YANKAUER with especially large central bore, 4,8 mm diam. 285 mm</p>	<p>Ø 10 mm</p> <p>olive</p> <p>Ø 7-9 mm</p> <p>1/2</p> <p><b>07-9071</b> YANKAUER with central bore, 2,0 mm diam. 285 mm</p>	<p>Ø 9 mm</p> <p>olive</p> <p>Ø 6-10 mm</p> <p>1/2</p> <p><b>07-9072</b> DE-BAKEY with central bore, 3,0 mm diam. with lateral slots 275 mm</p>	<p>Ø 5 mm</p> <p>olive</p> <p>Ø 9 mm</p> <p>1/2</p> <p><b>07-9073</b> DE-BAKEY with finger cut-off and stylet 270 mm</p>	<p>Ø 5 mm</p> <p>olive</p> <p>Ø 9 mm</p> <p>1/2</p> <p><b>07-9074</b> DE-BAKEY with finger cut-off and stylet 160 mm</p>	<p>Ø 4 mm</p> <p>olive</p> <p>Ø 9 mm</p> <p>1/2</p> <p><b>07-9075</b> with finger cut-off 190 mm</p>
---	--	---	--	--	--

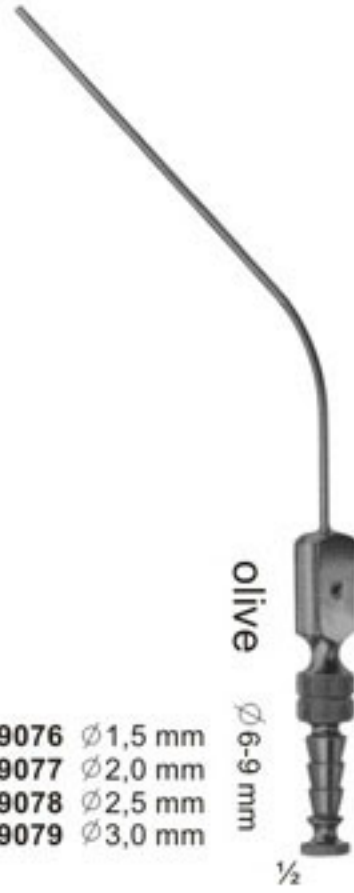


# Suction Instruments



- 07-9076 ∅ 1,5 mm
- 07-9077 ∅ 2,0 mm
- 07-9078 ∅ 2,5 mm
- 07-9079 ∅ 3,0 mm

**07-9076 - 07-9079**  
**PLESTER**  
with finger cut-off and  
stylet, thumb piece  
parallel to curve, with  
LUER hub  
195 mm



- 07-9080 ∅ 2,0 mm
- 07-9081 ∅ 2,5 mm
- 07-9082 ∅ 3,0 mm
- 07-9083 ∅ 4,0 mm
- 07-9084 ∅ 5,0 mm

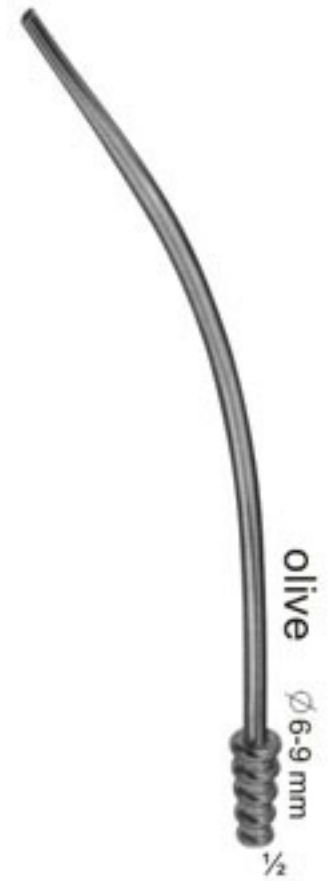
**07-9080 - 07-9084**  
**FERGUSSON**  
with finger cut-off and  
stylet, thumb piece  
90° to curve, with  
LUER hub  
180 mm



**07-9085** ∅ 4mm  
**FERGUSSON**  
insulated, with finger cut-off  
and stylet, thumb piece 90°  
to curve, with LUER hub  
180 mm



**07-9086** ∅ 3mm  
**07-9087** ∅ 5mm  
**FRAZIER**  
with finger  
cut-off and stylet, thumb  
piece 90° to curve,  
with LUER hub  
180 mm



**07-9088**  
5,0 mm diam., Tip  
6,5 mm wide, Nasal  
suction tube, with  
LUER hub  
180 mm



**07-9089** 4,5mm  
**07-9090** 5,5mm  
Nasal suction  
tubes  
175 mm



**07-9091**  
**GORNEY**  
Suction dissector  
180 mm



**07-9092** 4 mm wide  
**07-9093** 5 mm wide  
Suction raspatories,  
sharp, bayonet-shaped,  
with stylet  
200 mm



**07-9094**  
**LOPEZ-REINKE**  
Tonsil dissector with  
suction device  
235 mm



# Suction Instruments

**07-9095**  
WULLSTEIN  
Suction tube, conical, silver, olive  
with LUER hub  
160 mm

$\phi 1,75$  mm  $\phi 3$  mm  
olive  $\frac{1}{2}$   
 $\phi 8$  mm

**07-9096** 1,5 mm  
**07-9097** 2,0 mm  
WULLSTEIN  
Suction tube, cylindrical, silver, with  
stylet olive with LUER hub  
160 mm

$\frac{1}{2}$   
olive  $\phi 8$  mm

Usable length

YASARGIL usable length diam.		YASARGIL usable length diam.	
<b>07-9098</b>	130 mm 1,5 mm	<b>07-9106</b>	130 mm 2,5 mm
<b>07-9099</b>	150 mm 1,5 mm	<b>07-9107</b>	150 mm 2,5 mm
<b>07-9100</b>	180 mm 1,5 mm	<b>07-9108</b>	180 mm 2,5 mm
<b>07-9101</b>	220 mm 1,5 mm	<b>07-9109</b>	220 mm 2,5 mm
<b>07-9102</b>	130 mm 2,0 mm	<b>07-9110</b>	130 mm 3,5 mm
<b>07-9103</b>	150 mm 2,0 mm	<b>07-9111</b>	150 mm 3,5 mm
<b>07-9104</b>	180 mm 2,0 mm	<b>07-9112</b>	180 mm 3,5 mm
<b>07-9105</b>	220 mm 2,0 mm	<b>07-9113</b>	220 mm 3,5 mm
		<b>07-9114</b>	180 mm 4,5 mm

$\frac{1}{2}$   
olive  
 $\phi 6,5-9$  mm  
with LUER hub

**07-9115 - 07-9117**  
LANDOLT  
150 MM  
diam  $\phi 3$  mm

**07-9115** 8 mm / curved  
**07-9116** 11mm / curved  
**07-9117** 15mm / curved

$\phi 3.5$  mm  $\phi 2.0$  mm

**07-9118** 500 mm  
**07-9119** 350 mm  
with rubber tip,  
with LUER hub

$\frac{1}{2}$   
olive  $\phi 9$  mm

**07-9120** 2,0 mm diam  
**07-9121** 2,5 mm diam  
**07-9122** 3,0 mm diam  
with finger cut-off,  
thumb piece 90° to  
curve, with LUER hub  
250 mm

$\frac{1}{2}$   
olive  $\phi 6-9$  mm



# Combined Suction and Irrigation Cannulae, Coagulation Suction Cannulae



**07-9123**  
FINSTERER  
320 mm

olive  $\phi$  9-13 mm  $\frac{1}{2}$

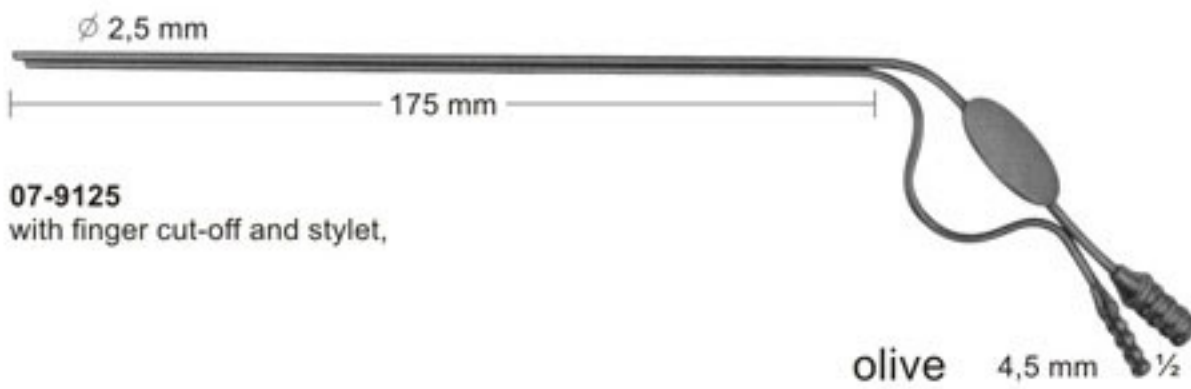
$\phi$  15 mm



$\phi$  2 mm

$\phi$  4,5 mm

**07-9124**  
YASARGIL  
LUER-LOCK cone  
200 mm



$\phi$  2,5 mm

175 mm

**07-9125**  
with finger cut-off and stylet,

olive 4,5 mm  $\frac{1}{2}$



90 mm

**07-9126 - 07-9128**  
HOUSE

	suction tube diam.	irrigation tube Diam.
<b>07-9126</b>	0,9 mm	0,7 mm
<b>07-9127</b>	1,2 mm	0,9 mm
<b>07-9128</b>	1,5 mm	1,2 mm

with finger cut-off and stylet,  
with LUER hub

$\phi$  4 mm  
olive

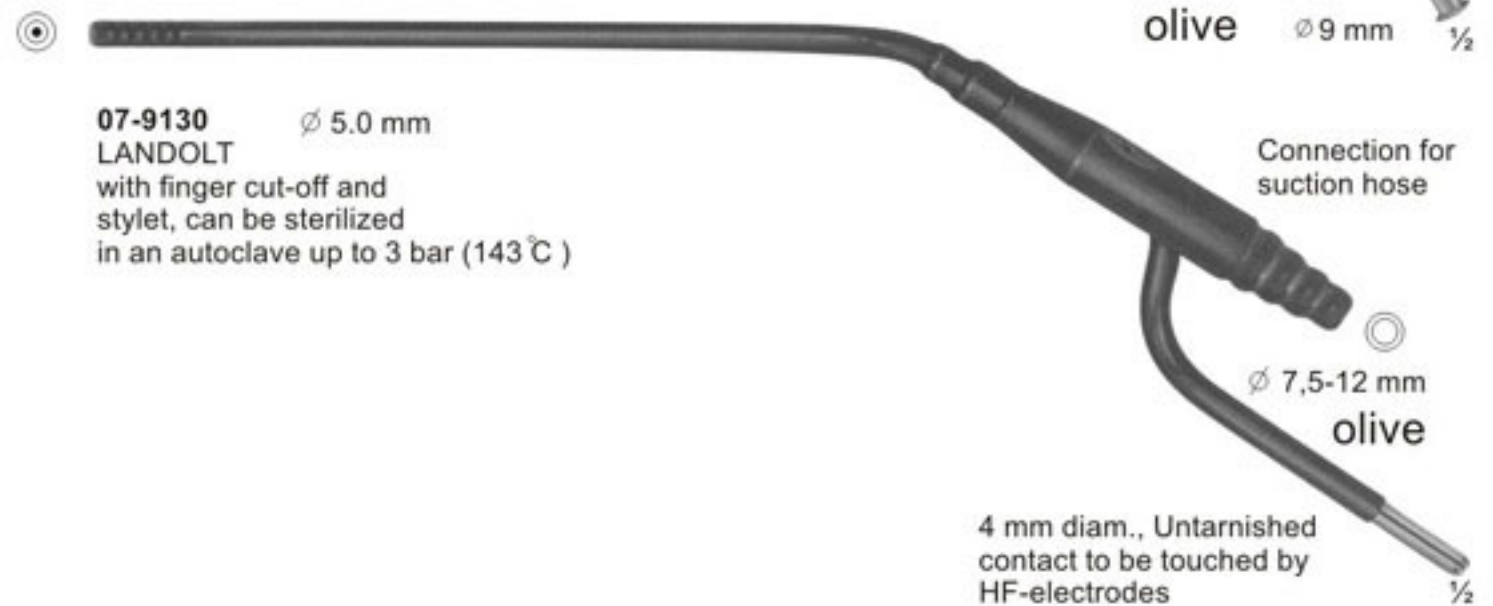
olive  $\phi$  9-6 mm  $\frac{1}{2}$



**07-9129** 3,5 mm  
with LUER-LOCK cone

250 mm

olive  $\phi$  9 mm  $\frac{1}{2}$



**07-9130**  $\phi$  5.0 mm  
LANDOLT  
with finger cut-off and  
stylet, can be sterilized  
in an autoclave up to 3 bar (143 °C )

Connection for  
suction hose

$\phi$  7,5-12 mm  
olive

4 mm diam., Untarnished  
contact to be touched by  
HF-electrodes